

HD-2120M-HDW

1.4Megapixel 720P Water-proof IR HD Mini Dome Camera



Features

- 1/3" 1.4Megapixel CMOS
- 25/30/50/60fps@720P
- High speed, long distance real-time transmission
- HD and standard definition switchable
- OSD Menu, control over coaxial cable
- DWDR, Day/Night(ICR), AWB, AGC, BLC, 3D DNR
- 3.6mm fixed lens (2.8mm, 6mm, 8mm optional)
- IP67,DC12V
- Max. IR LEDs length 30m, Smart IR

Technical Specifications

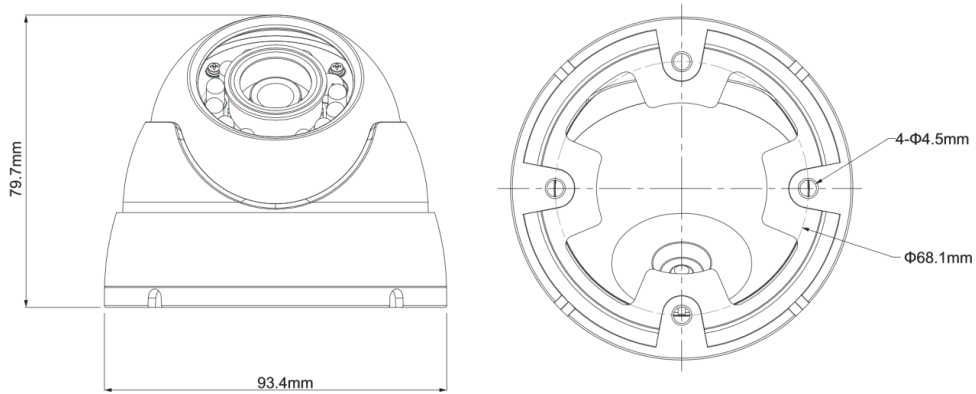
| Model | HD-2120M-HDW | HD-2120M -HDW-N |
|---------------|------------------------|-----------------|
| Camera | | |
| Image Sensor | 1/3" 1.4Megapixel CMOS | |

HD-2120M-HDW

| | | |
|------------------------|---------------------------------------------------------------------------------------------------|---------------|
| Effective Pixels | 1305(H)×1049(V) | |
| Electronic Shutter | 1/3s~1/100,000s | |
| Video Frame Rate | 25/50fps@720P | 30/60fps@720P |
| Synchronization | Internal | |
| Min. Illumination | 0.01Lux@F1.2(AGC ON), 0Lux IR on | |
| Video Output | 1-channel BNC HD high definition video output/ CVBS standard definition video output (Can switch) | |
| Camera Features | | |
| Max. IR LEDs Length | 30m, Smart IR | |
| Day/Night | Auto(ICR) / Color / B/W | |
| Noise Reduction | 2D/3D | |
| OSD Menu | Support | |
| Lens | | |
| Focal Length | 3.6mm (2.8mm, 6mm, 8mm optional) | |
| Angle of View | H: 70° (89° /46.5° /35°) | |
| Mount Type | M12 | |
| General | | |
| Power Supply | DC12V±10% | |
| Power Consumption | Max 3.3W | |
| Working Environment | -30°C~+60°C / Less than 95%RH (no condensation) | |
| Transmission Distance | Over 800m via 75-3 coaxial cable | |
| Ingress Protection | IP67 | |
| Dimensions | Φ93.4mm×79.7mm | |
| Weight | 0.35kg | |
| Material | Metal | |

HD-2120M-HDW

Dimensions (mm)



Accessories (optional)

| | | |
|-------------------------------------------------------------------------------------|-------------------------------------------------------------------------------------|--------------------------------------------------------------------------------------|
|  |  |  |
| AC-204W | AC-121 | AC-152 |

社名 / 新光 株式会社
SK-COMPANY CO.,LTD

本社所在地 / 〒173-0032
東京都板橋区大山西町 2-3 SKビル 1F

TEL / +81-8032785551
FAX / +81-33972-0689

Distributor: